

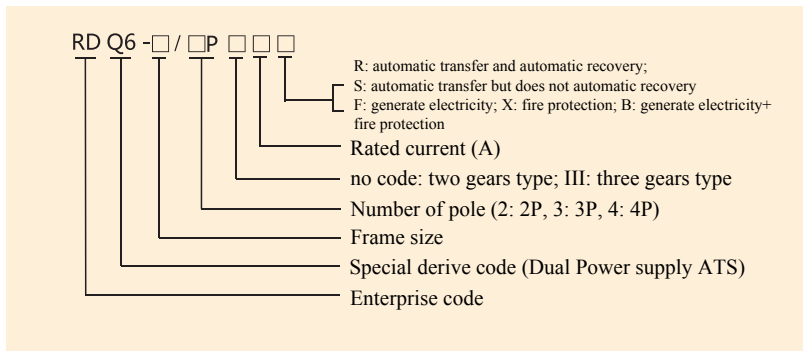
► Scope of application

RDQ6 Dual Power Supply ATS is suitable for power supply system of AC 50/60Hz, rated operating voltage 380V, rated operating current 4000A and below. It can selective transferring between two circuit power supply according to requirements (Normal, backup power supply can be grid, auto startup generator groups, batteries etc., the normal and backup power supply can be determined by the user). Product is suitable for the State specified special grade and grade one load user, the important occasions that do not allow the breakout such as the high-rise building, post and telecommunications, coal mine and vessel, industrial production line, health care, military equipment, airport, fire protection, metallurgy, chemical industry, textile, petroleum etc.

This product conforms to GB/T14048.11 standard.



► Model and its implication



► Normal operating condition and installation condition

- 3.1 Altitude of installation place does not exceed 2000m.
- 3.2 Ambient temperature: -5 ~+40 , average value within 24h does not exceed +35 .
- 3.3 Atmosphere condition: The relative humidity does not exceed 50% when the highest temperature is +40 , it is allowed relatively high relative humidity at the relatively low temperature, for example, it reaches 90% when 20 , and it should take special measurements when there occurred the condensation on the products that is due to the variation of humidity.
- 3.4 Grade of pollution: 3
- 3.5 Installation condition: it is installed at the places that without impact vibration and without rain and snow; The upper terminal connects to the power supply side, the lower terminal connects to the load side, and the gradient between the installation side and the vertical side does not exceed 23°.
- 3.6 Installation category: IV
- 3.7 External magnetic field of nearing the installation place does not exceed 5 times of earth magnetic field at any direction.

► Technique parameter

## 4.1 Basic parameter of dual power supply ATS to see below table

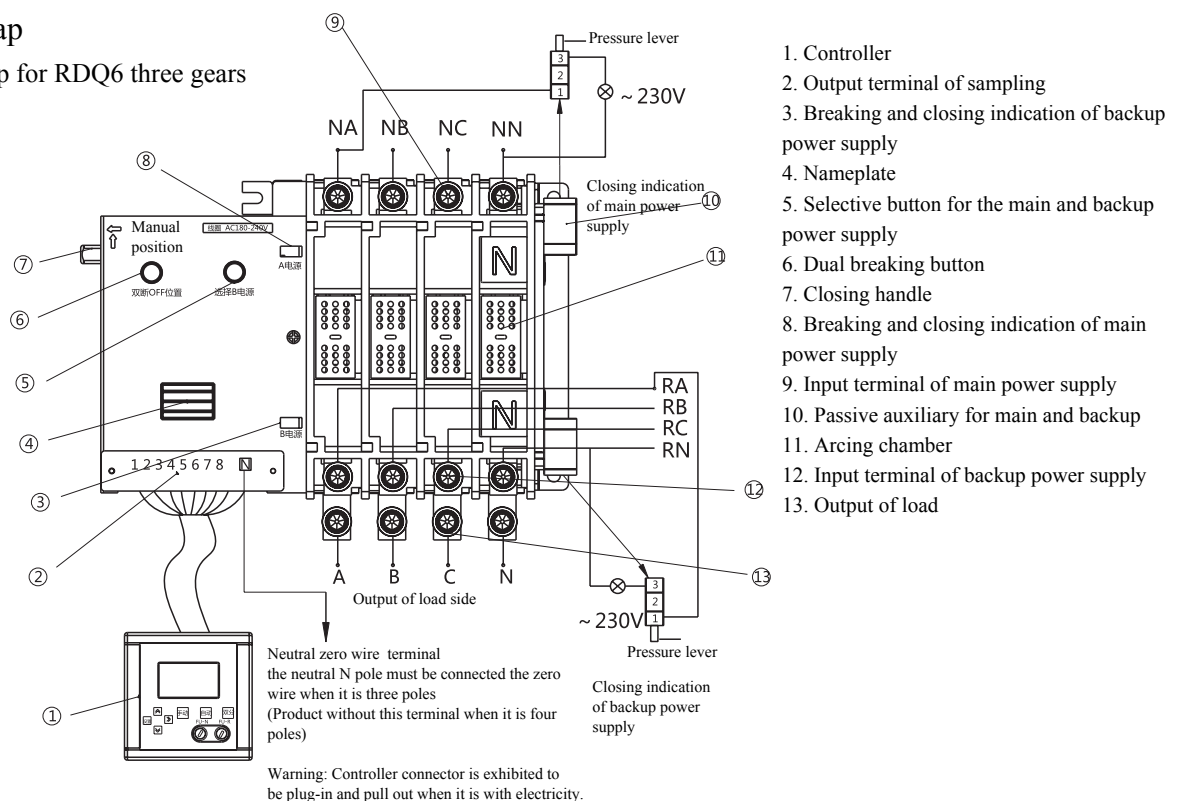
Product performance parameter	
Confirms to standards	GB/T 14048.11, IEC60947-6-1
ATS grade	PC class
Usage category	AC-33iB
Rated operating voltage Ue	AC230V, AC400V
Rated operating frequency	50Hz/60Hz
Switch control voltage	AC230V, AC400V

## 4.2 Parameter for the number of pole to see below table

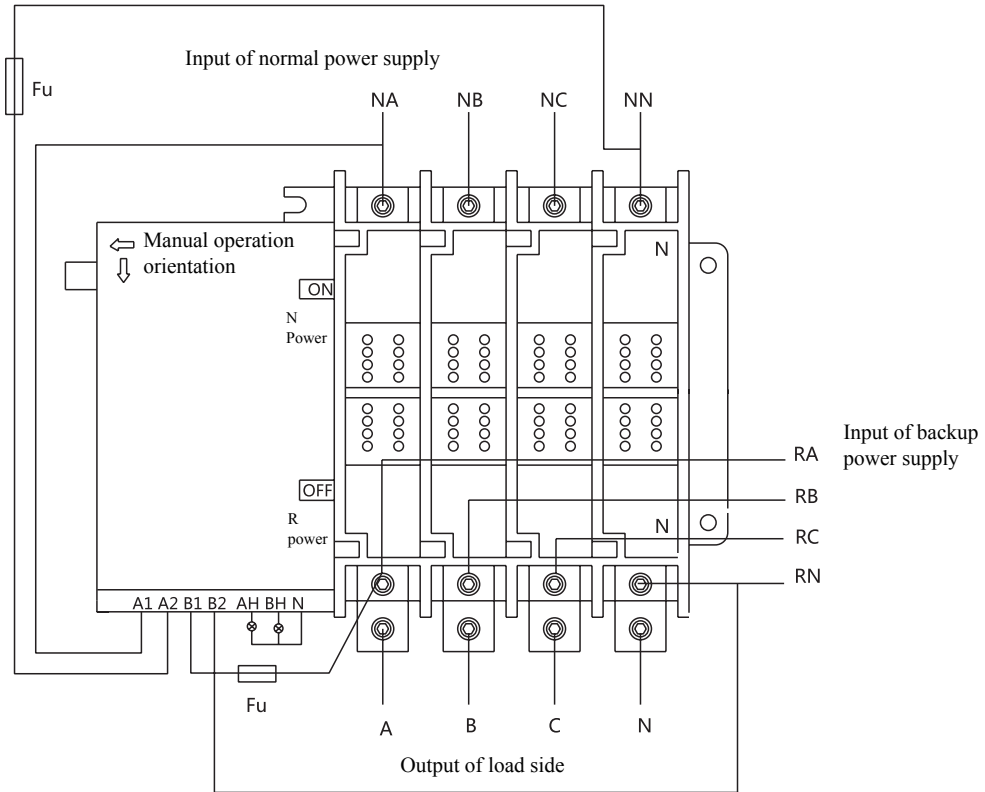
Model	RDQ6											
	63	125	250	400	630	800	1000	1250	1600	2000	2500	3150
Name												
Usage category	AC-33iB											
Rated operating voltage Ue	AC230V AC400V											
Rated insulation voltage Ui	400V 690V											
Rated impulse withstand voltage Uimp	6kV						8kV					
Rated short-time withstand current: Icw	5kA		10kA			13kA			30kA		50kA	
Rated short-time connecting capability: Iem	7.5kA		17kA			26kA			50kA		80kA	
Service life (times)	Mechanical	4500	5000	3000	2000	2500			1500			
	Electrical	1500	1000	1000	1000	500			500			
Number of pole	2											
	3											
	4											
Operation cycling period s/(times)	60s				120s				200s			
Transfer time /S	1s~99s						1s~99s					

## ▶ Wiring map

### 5.1 Wiring map for RDQ6 three gears



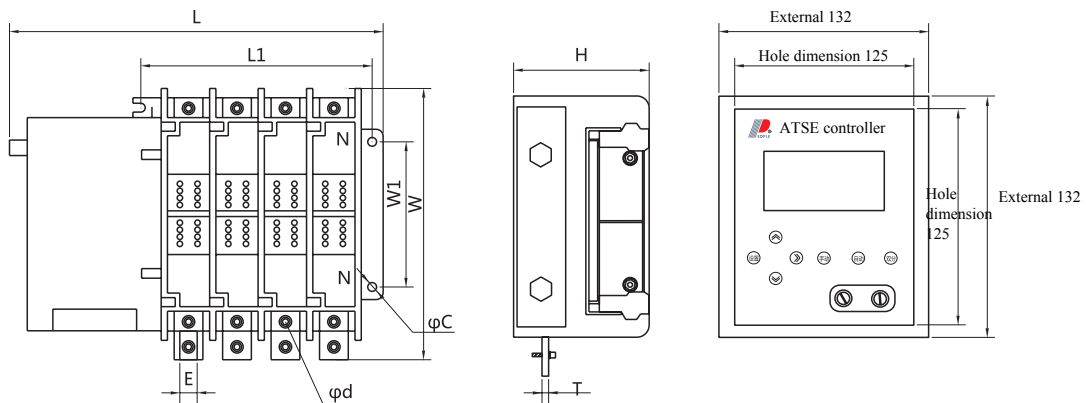
5.2 Wiring map for RDQ6 two gears



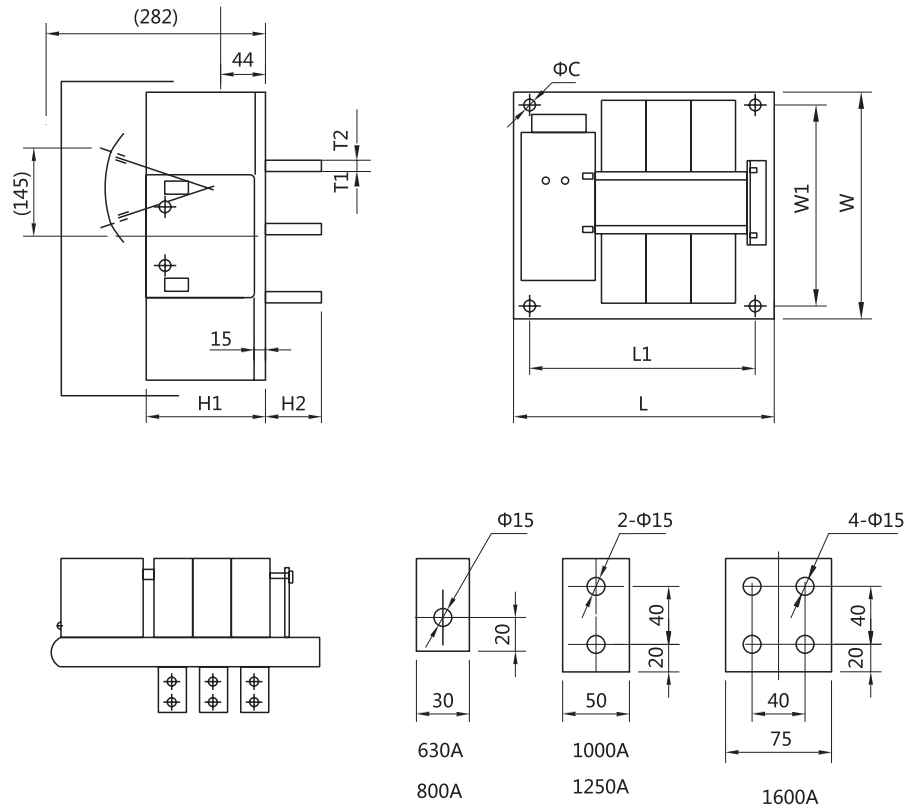
Note: A1, A2 is the input of normal power supply, B1, B2 is the input of backup power supply, voltage AC 230V; AH is closing indication for normal power supply, BH is closing indication for backup power supply; N for Neutral wire. Signal indication internal output active terminal, AC 230V power supply.

▶ External and installation dimension

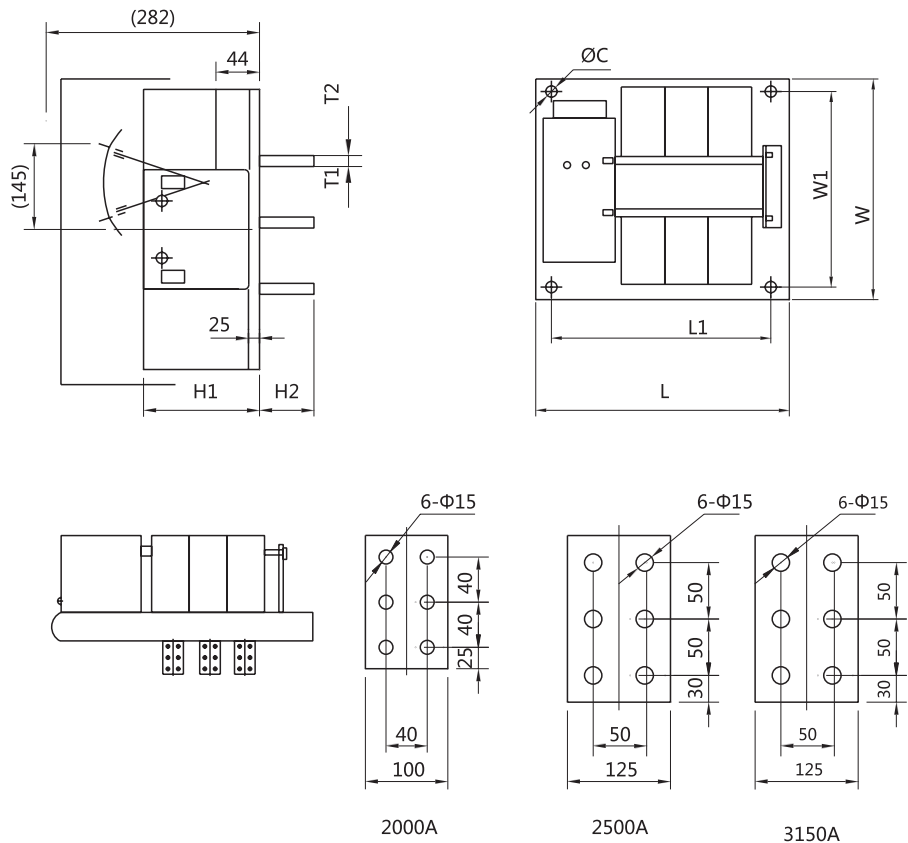
External dimension and hole dimension for three gears type controller



6.1 (630A-1600A)



6.1 (2000A-3150A)



6.3 External and installation dimension

Dimension Model	External dimension				Installation dimension			Copper bar dimension			
	Frame size	Pole No.	L	W	H	L1	W1	φC	φd	T	
RDQ6-63	2P	201	191	112	88	152	6	6	2	12	Wiring at the front of board
	3P	224	191	112	110	152	6				
	4P	246	191	112	133	152	6				
RDQ6-125	2P	216	196	112	105	152	6	8	4	15	
	3P	246	196	112	135	152	6				
	4P	276	196	112	165	152	6				
RDQ6-250	2P	228	196	112	113	152	8	8	4	20	
	3P	263	196	112	150	152	8				
	4P	298	196	112	185	152	8				
RDQ6-400 RDQ6-630	3P	350	288	132	230	200	8	14	5	40	
	4P	410	288	132	290	200	8				

Dimension Model	External dimension				Installation dimension			Copper bar dimension					
	Frame size	Pole No.	L	W	H	L1	W1	φC	φd	T1		T2	
RDQ6-630 RDQ6-800	3P	405	390	160	375	360	12	14	12	15	Wiring at the back of board		
RDQ6-1250	4P	470	390	160	440	360	12						
	3P	450	390	160	420	360	12						
RDQ6-1600	4P	530	390	160	500	360	12					15	15
	3P	510	390	160	480	360	12						
RDQ6-2000	4P	610	390	160	580	360	12					14	15
	3P	650	480	170	595	420	14						
RDQ6-2500	4P	840	480	170	790	420	14						
	3P	650	480	170	595	420	14						
RDQ6-3150	4P	850	480	170	790	420	14						
	3P	650	480	170	595	420	14						

▶ Ordering Notice

It required to be noted as below:

- 7.1 Model No. and name
- 7.2 Number of pole (Four poles, if not noted, it will be three phase four wire system)
- 7.3 Rated current (A)
- 7.4 Whether to be with passive auxiliary contacts
- 7.5 Required quantity

For example, RDQ6-125/4P 100A 50 pcs for the RDQ6 ATS, four poles, two gears, rated current 100A, and the required quantity 50 pcs