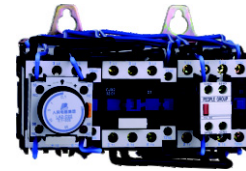
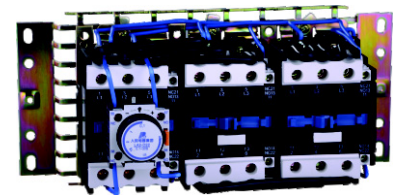
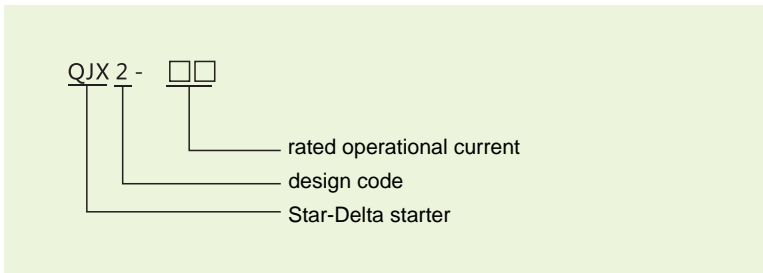


▶ Application

QJX2 series of star-delta starter, is applicable for circuit of AC50Hz or 60Hz, voltage up to 660V, current up to 95A, as motor heavy-load starter, it has timer and can starting "star-delta" transfer automatically to reduce the motor starting voltage and current.



▶ Model No.



▶ Normal working condition and installation condition

- 3.1 Altitude: lower than 2000m.
- 3.2 Ambient temperature: no higher than +40°C, and no lower than -5°C, and day average temperature shall no more than +35°C.
- 3.3 Humidity: Relative humidity shall not exceed 50% at the Max temperature 40°C, and higher humidity could be accepted at lower temperature. The condensation must be taken care which is caused by temperature change.
- 3.4 Angle between installation plane and horizontal plane should not exceed 5°.
- 3.5 Installation location have no affect of obvious vibration and impact, rain and snow.

▶ Main Technical data

4.1 QJX2 series starter is applied to control motor which has "delta" connection. when motor starts star-delta transferring, "star" start current is about 1.8-2.6 times of motor rated current, but "delta" connection is about 0.58 times if rate current.

4.2 QJX2 series production technical data, see Table 1

Table 1

Star-Delta starter				380V three-cage squirrel-cage motor			thermal relay	current adjustment A	fuse rated current A
Model No.	contactor			rated current In A	0.58 In A	control power kW			
	KM2	KM3	KM1						
QJX2-12	CJX2-12	CJX2-12	CJX2-09	18.5	9	10.7	JRS1-12	10~13	20
				20	10	11.6			
				22	11	12.8			25
QJX2-16	CJX2-16	CJX2-16	CJX2-09	30	15	17.4	JRS1-16	13~18	32
QJX2-18	CJX2-18	CJX2-18		30	15	17.4	JRS1-25	13~18	32
				37	18.5	21.5	JRS1-52	18~25	40

Table1

Star-Delta starter				380V three-cage squirrel-cage motor			thermal relay	current adjustment A	fuse rated current A
Model No.	contactor			rated current InA	0.58 In A	control power kW			
	KM2	KM3	KM1						
QJX2-25	CJX2-25	CJX2-25	CJX2-09	37	21.5	18.5	JRS1-25	18~25	40
QJX2-32	CJX2-32	CJX2-32	CJX2-25	44	25.5	22	JRS1-32	23~32	50
				52	30.2	25			63
QJX2-40	CJX2-40	CJX2-40	CJX2-25	44	25.5	22	JRS1-40	23~32	50
				52	30.2	25			63
				60	34.8	30			63
				60	34.8	30	JRS1-63	38~50	80
				68	39.5	33			
				72	41.8	37			
QJX2-50	CJX2-50	CJX2-50	CJX2-40	79	45.8	40	JRS1-63	38~50	80
				85	49.3	45	JRS1-63	48~57	100
				98	56.8	51	JRS1-63	57~66	125
				105	60.9	55	JRS1-63	57~66	125
QJX2-80	CJX2-80	CJX2-80	CJX2-50	112	65	59	JRS1-63	57~66	125
				117	67.9	63	JRS1-80	63~80	160
				138	80	75			
QJX2-95	CJX2-95	CJX2-95	CJX2-50	147	85.3	80	JRS1-F105	75~105	160

4.3 QJX2 Production control motor power and technical data under different voltage.

Table2

Model No.	Rated operational voltageV	AC-3, rated operational currentA	Under AC-3 and different voltage, three-phase control motor power kW				Electrical life	Mechanical life	Operational frequency /h	Air time-delay terminal Electrical life	Max motor-driven time S	Weight kg
			220V	380V	415V	440V						
QJX2-12	660	12	5.5	11	11	AC-3 时为20	100 ~ 200	30	500	30	1.5	
QJX2-16		16	7.5	15	15						1.8	
QJX2-18		18	11	18.5	22						1.8	
QJX2-25		25	11	18.5	22						1.8	
QJX2-32		32	15	25	25	AC-4时为1					20	
QJX2-40		40	18.5	37	37						4.36	
QJX2-50		50	25	55	59						4.30	
QJX2-80		80	37	75	75						5.2	
QJX2-95		95	45	80	80						5.2	

▶ Appearance and mounting dimensions

See Fig1 to Fig3 and Table3

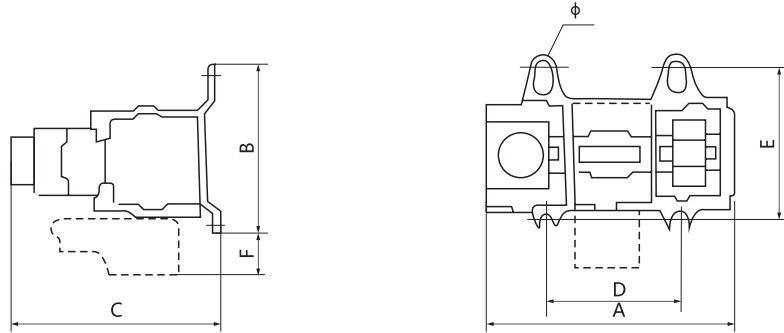


Fig1

Table3

Model No.	Shape and mounting dimension mm						
	A	B	C	D	E	F	ϕ
QJX2-12	140	124	140	90	110	10	4-ϕ6.3
QJX2-18							
QJX2-16	170	124	149	90	110	10	4-ϕ6.3
QJX2-25							
QJX2-32							

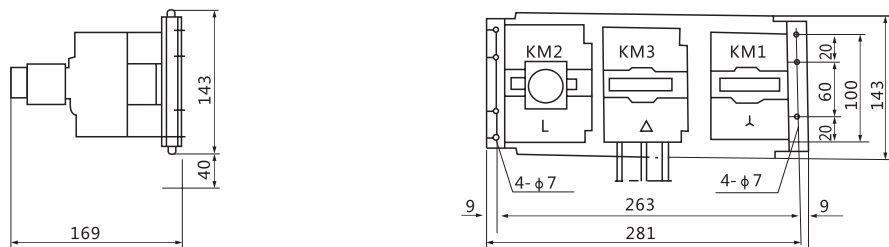


Fig2 QJX2-40,50 "star-delta" starter shape and mounting dimension.

KM1-Y connection connection

KM2-Isolation contactor

KM2-Delta connection contactor

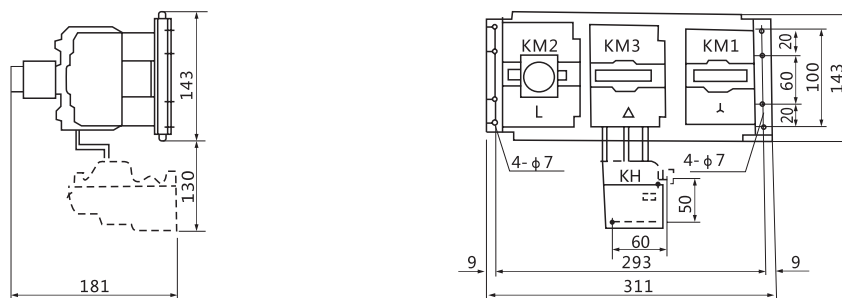
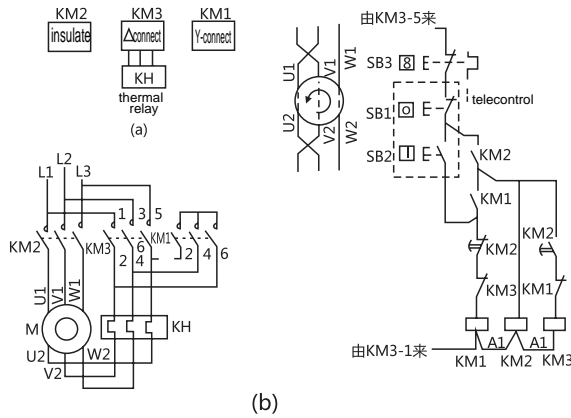


Fig3 QJX2-80,95 "star-delta" starter shape and mounting dimension.

▶ Connection principle



(b)

Fig5

a)three contactor arrangement

b)main circuit connection principle

c)control circuit connection principle

KM1-star connection contactor;KM2-insulate contactor;KM3-delta connection contactor;
KH-thermal relay;SB1,SB2-telecontrol;SB3-Stop pushbutton;M-Motor

▶ Notice

Please note the model No, specification,quantity,and special requirement.