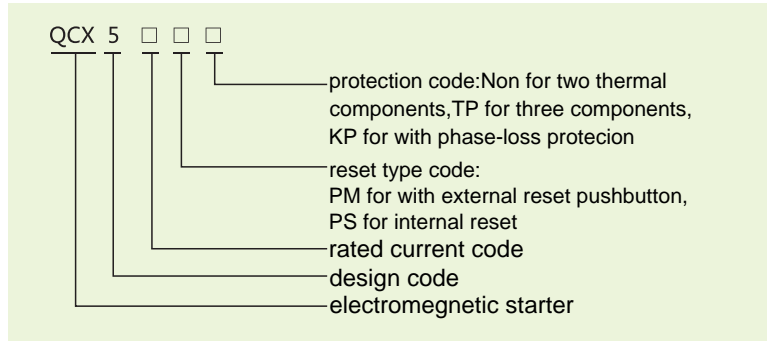


▶ Application

QCX5 series electromagnetic starter, is applicable for appliance of AC50Hz, rated voltage up to 660V, rated current up to 40A. It also can telecontrol the motor starting and stop, and protect motor against damage of overload, phase loss and undervoltage.

▶ Model No.



▶ Normal working condition and installation condition

- 3.1 Altitude: lower than 2000m.
- 3.2 Ambient temperature: no higher than +40°C, and no lower than -5°C, and day average temperature shall no more than +35°C.
- 3.3 Humidity: Relative humidity shall not exceed 50% at the Max temperature 40°C, and higher humidity could be accepted at lower temperature. The condensation must be taken care which is caused by temperature change.
- 3.4 Angle between installation plane and horizontal plane should not exceed 5°.
- 3.5 Installation location have no affect of obvious vibration and impact, rain and snow.
- 3.6 Installation type: III type
- 3.7 Pollution class: III type

▶ Main Technical data

- 4.1 rated insulate voltage: 660V
- 4.2 rated operational voltage 220V, 380V, 660V
- 4.3 rated operational voltage and thermal component rated current and controlled three-phase motor Max power see Table 1.

Table 1

Model No.	380V, AC-3, rated operational current	controlled three-phase AC motor Max rated power (AC-3) kW		thermal relay component rated current A	
		380V	660V		
QCX5-9	9	4	4	9	
QCX5-12	12	5.5	5.5	9; 11	
QCX5-16	16	7.5	7.5	0.24; 0.35; 0.5; 0.7; 0.9; 1.3; 1.7; 2.1; 2.5; 3.6; 5.6; 6.6	
QCX5-20	22	11	7.5	9; 11; 15; 19; 20	
QCX5-21				9; 11; 15; 19; 20	
QCX5-22				9; 11; 15; 19; 22; 29	
QCX5-30	30	15	11	9; 11; 15; 19; 22; 29; 35	
QCX5-40	40	18.5	15		

4.4 Overload protection device protection feature

4.4.1 when loading of each phase is balance,motion feature see Table2

table2

NO.	Setting current multiples	autuation time	intial time	ambient temperature
1	1.05	> 2h	cold state	+20°C
2	1.2	< 2h	heating state	
3	1.5	< 2min	heating state	
4	7.2	2s < T ≤ 10s	cold state	

4.4.2 when loading of each phase is imbalance,motion feature see Table3

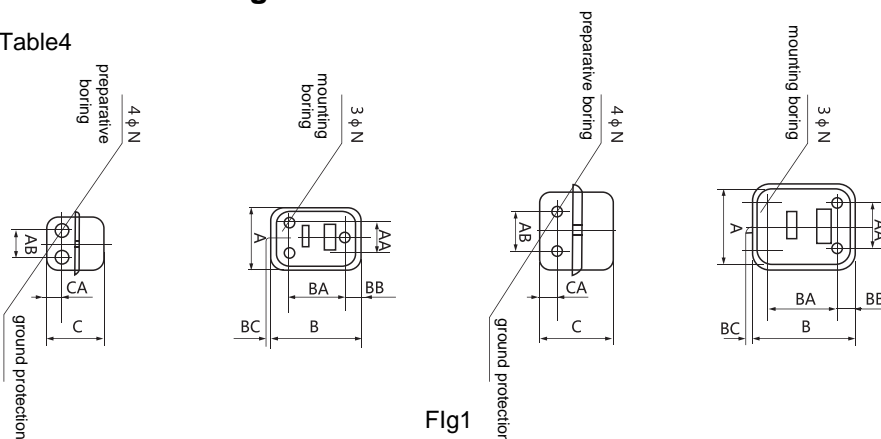
table3

NO.	Setting current multiples		autuation time	intial time	ambient temperature
	any two-pahse	tihrd pahse			
1	1.0	0.9	> 2h	cold state	+20°C
2	1.15	0	< 2h	heating state	

4.5 Mechanical life:1 million,electrical life:0.2million

▶ Appearance and mounting dimension

See Flg1 and Table4



Flg1

Table4

NO.	A	AA	AB	B	BA	BB	BC	C	CA	M	N	weight(kg)
QCX5-9PM	76	45	33	159	120	21	6	114	22	5	22	0.9
QCX5-12PM	76	45	33	159	120	21	6	114	22	5	22	0.9
QCX5-16PM	104	76	50	170	140	15	6	114	30	6	22	1.0
QCX5-22/20PM	104	76	50	170	140	15	6	114	30	6	22	1.3
QCX5-22/21PM	104	76	50	170	140	15	6	114	30	6	22	1.3
QCX5-30PM	135	95	50	225	165	30	6	130	45	6	28	2.1
QCX5-40PM	135	95	50	225	165	30	6	130	45	6	28	2.1

▶ Notice

6 Please note the starter Model No.,thermal component setting current,quantity and special requirements.