

▶ **Application**

LX19 series travel switch(limit switch), is applicable for control circuit of AC50Hz, rated voltage up to 380V, DC voltage up to 220V, as motion mechanism action trip, motion direction and speed control.

This production conforms to Standard of GB14048.5., IEC60947-5-1.

▶ **Normal working condition and installation condition**

- a)Altitude: lower than 2000m.
- b)Ambient temperature: no higher than +40°C, and no lower than -5°C, and day average temperature shall no more than +35°C.
- c)Humidity: Relative humidity shall not exceed 50% at the Max temperature, and higher humidity could be accepted at lower temperature. The condensation must be taken care which is caused by temperature change.
- d)Installation angle: Any angle
- e)Installation location: no distinct swing and impact, no wetwear-attack.
- f)Medium: install in the medium without explosion danger, and have no danger of medel-corrosion and insulation-damage.
- h)Pollution level: III, Installation level: II



▶ **Main Technical data**

Travel switch basic parameter see Table1

Table1

Specification	Rated operational voltage and current	Structure	Contact		Operation range	over-travel	Transfer times S	Actuating force N
			NO	NC				
LX19K	380V.5A DC220V	component	1	1	1.5 ~ 3.5 mm	≥0.5 mm	≤004	≤10
LX19-001	380V.5A DC220V	No roller, and only transmission rod, self-reset.	1	1	1.5 ~ 4 mm	≥3 mm	≤004	≤15
LX19-111	380V.5A DC220V	Installed a roller on the transmission rod inside	1	1	≤30°		≤004	≤20
LX19-121	380V.5A DC220V	Installed a roller on the transmission rod inside, self-reset	1	1	≤30°		≤004	≤20
LX19-131	380V.5A DC220V	Installed a roller on the transmission rod groove inside, self-reset	1	1	≤30°		≤004	≤20
LX19-212	380V.5A DC220V	Install 2rollers on U type transmission rod inside, no self-reset	1	1	≤60°		≤004	≤20
LX19-222	380V.5A DC220V	Install 2rollers on U type transmission rod outside, no self-reset	1	1	≤60°		≤004	≤20
LX19-232	380V.5A DC220V	Install 2rollers on U type transmission rod inside and outside, no self-reset	1	1	≤60°		≤004	≤20

▶ Overall and Installation dimension

See Fig1~Fig6.

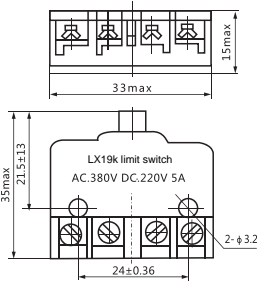


Fig1 LX19K

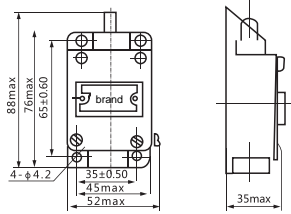


Fig2 LX19-001

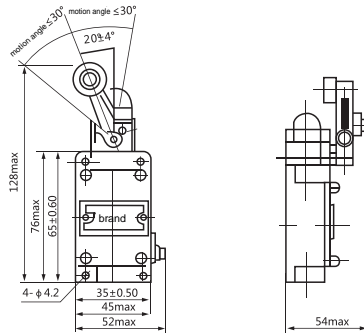


Fig3 LX19-111,121

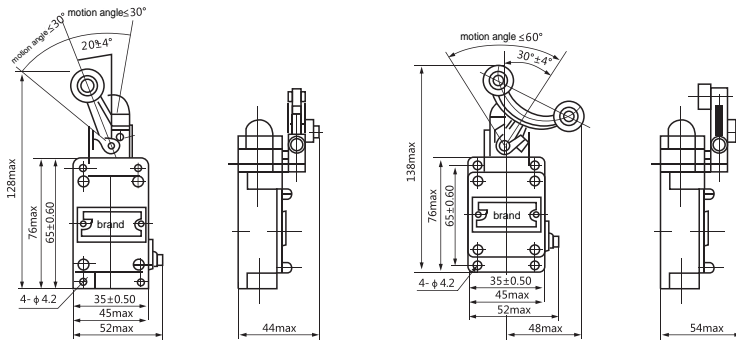


Fig4 LX19-131

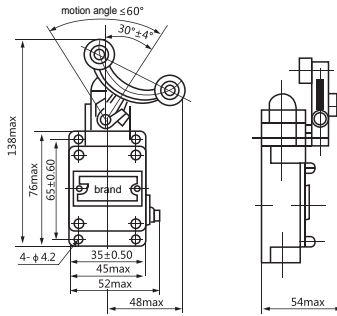


Fig5 LX19-212,222

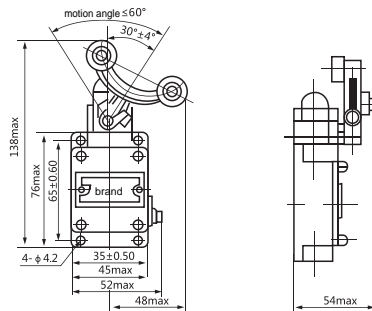


Fig6 LX19-232