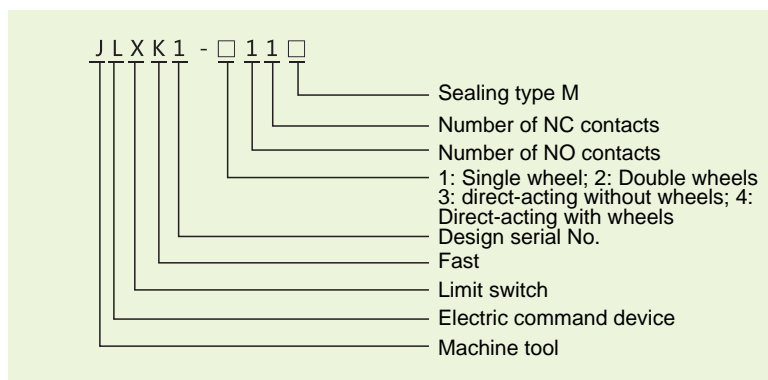


► Usage and its scope of application

JLXK1 series limit switch is suitable for the circuit of AC 50Hz, voltage up to 380V or DC voltage up to 220V, as the use of machine tool auto control, limit the stroke of moving mechanism and alternating the moving direction or the control of procedure.

The limit switch is designed, manufactured and inspected according to GB 14048.5 and relevant standards.

► Model and its implication



► Normal operating condition and installation condition

3.1 Altitude does not exceed 2000m

3.2 Ambient temperature: -25C~+40C

3.3 Relative humidity does not exceed 85% (20±5)C

3.4 At the medium of without explosive danger, and the medium without the gas and dust (include the conductive dust) that corrode and damage the insulation.

► Main technique parameter

4.1 Basic technique parameter of limit switch: rated voltage AC 380V, DC 220V; Rated current 5A; Shifting time of contact: ≤0.04s

4.2 Action characteristics to see table 1

Table 1

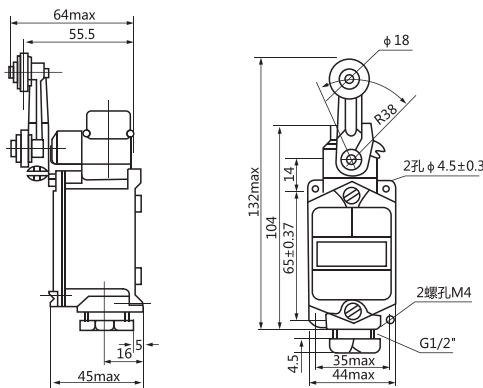
Model	Acting angle	Angle of over stroke	Stroke mm	Over stroke mm	Acting force N
JLXK1-111M	12°-15°	≥30°			≤1
JLXK1-211M	≤45°	≥30°			≤1.5
JLXK1-311M			1~3	≥2	≤2
JLXK1-411M			1~3	≥2	≤2

Limit switch is suitable for long time operating system and the repeated short-time operating system under the condition shown in table 2

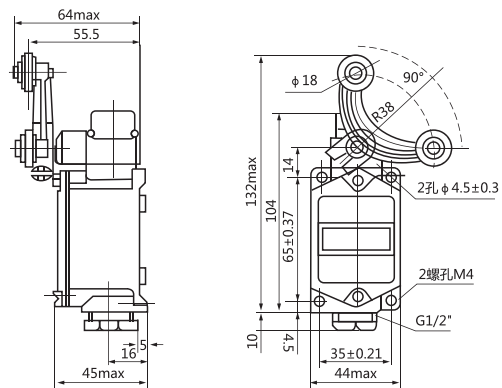
Table 2

AC 380V			DC 220V		Operation frequency	Electrified continuous rate
Connecting current	Breaking current	Power factor	connecting and breaking current	Time constant		
A3	0.3A	0.3 -0.4	0.12A	0.05s ~ 0.1s	1 200次/h	40%

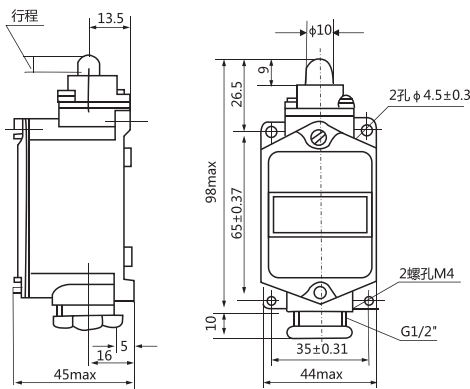
► External and installation dimension



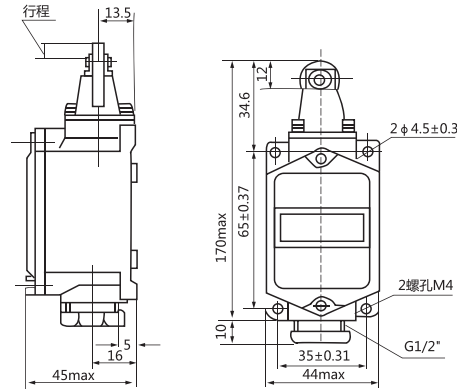
JLXK1-111



JLXK1-211



JLXK1-311



JLXK1-411

► Ordering Notice

It required to be noted: product's name, specification, model, and quantity.

For example, JLXK1-111, 50 pcs for the limit switch JLXK1, single wheels, 50 pcs.