

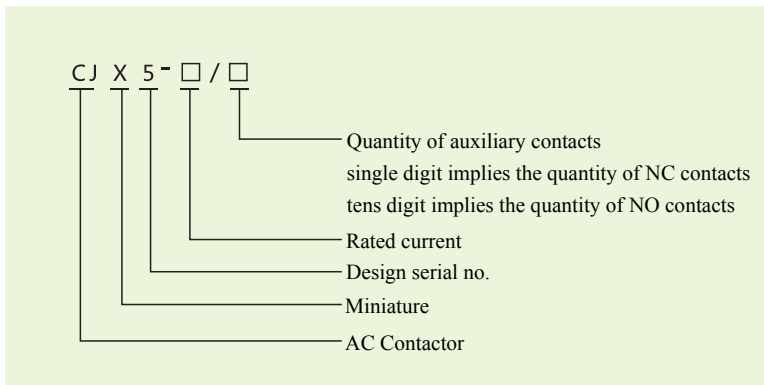
▶ Usage and its scope of application

CJK5 Series AC Contactor is suitable for the circuit of AC 50Hz or 60Hz, rated operating voltage up to 690V, rated current up to 105A, for remotely connecting and breaking the electric products, can be combined with the thermal relay into electromagnetic starter, to protect the circuit that may occur operation over load.

Product confirms to GB14048.4, IEC60947-4-1 standards.



▶ Model and its implication



▶ Normal operating condition and installation condition

3.1 Ambient temperature: -5 ~+40 , average value within 24h does not exceed +35

3.2 Altitude: does not exceed 2000m

3.3 Relative humidity does not exceed 50% when the highest temperature is +40 , it is allowed relatively high humidity when it is at relatively low temperature, for example, it reaches 90% when 20 , it should take appropriate measurements when there produced condensation on the product due to the temperature variation.

3.4 Grade of pollution: 3

3.5 Installation category: III

3.6 Installation position: gradient between installation side and the vertical side does not exceed ±5°

3.7 Impact and vibration: product should be installed at the places of without obvious shake, impact and vibration.

▶ Main technique parameter

4.1 Main technique parameter of contactor to see table 1

4.2 Acting characteristics: contactor can reliably pull-in when it is at ambient temperature of -5 ~+40 , the coil is electrified with any voltage within 85%~110% Us, and it can reliably release with 20%~75% Us.

4.3 Contactor is suitable for 8 hours operation system, intermitted operation system and continuous period operation system.

4.4 Quantity of contacts to see table 2

Table 1

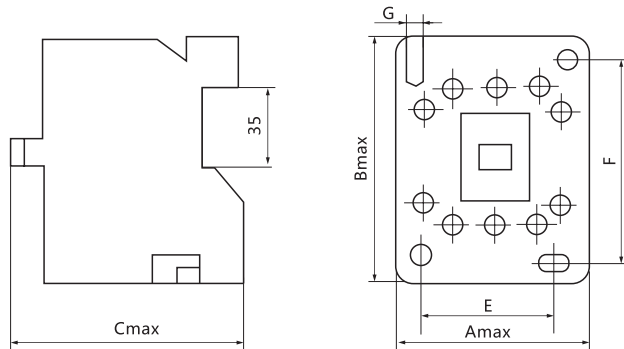
Model		CJX5-9 (S-K10)	CJX5-12 (S-K11) (S-K12)	CJX5-16 (S-K18)	CJX5-22 (S-K20) (S-K21)	CJX5-30 (S-K25)	CJX5-40 (S-K35)	CJX5-50 (S-K50)	CJX5-62 (S-K65)	CJX5-85 (S-K80)	CJX5-105 (S-K95)	
Rated insulation voltage (V)		690V										
Setting thermal current (A)		20	20	25	32	50	60	80	100	135	135	
Mechanical life (times)		10×10 ⁶				8 × 10 ⁶				6×10 ⁶		
AC-3 load	Rated operating current (A)	380V	9	12	16	22	30	40	50	62	85	105
		660V	5	7	9	9	12	17	26	35	52	65
	Controllable motor power (kW)	380V	4	5.5	7.5	11	15	18.5	22	30	45	55
		660V	4	5.5	7.5	7.5	11	15	22	30	45	55
AC-4 load	Rated operating current (A)	380V	2.5	3.4	4.8	7.5	12	12	16	23	30	40
		660V	1.4	2	2.6	4.5	7	7	9	13	17	23
	Controllable motor power (kW)	380V	1.1	1.5	2.2	3.7	5.5	5.5	7.5	11	15	
		660V	1.1	1.5	2.2	3.7	5.5	5.5	7.5	11	15	
Rated operation frequency (times/h)		1200				300						
Electrical life (times)		1×10 ⁶				0.8×10 ⁶				0.6×10 ⁶		
Operation voltage of pull-in coil		85% ~ 110%Us										
Power consumption of pull in coil (VA)	Pull-in	10	10	10	20	20	17	22				
	Startup	50	50	50	142	142	132	225				
Rated insulation voltage of auxiliary contacts (V)		690V										
Thermal current of auxiliary contacts (A)		10										
Rated operating current of auxiliary contacts (A)	AC-11											
	380V	1.9										
	DC-11											
	220V	0.2										
Arcing distance (mm)		10										

Table 2

Model	CJX5-9、CJX5-12、CJX5-16 S-K10、S-K11 S-K12、S-K18	CJX5-22 S-K20	CJX5-22-105 S-K21 ~ S-K95
Quantity of main contacts	3	3	3
Quantity of auxiliary contacts	1NO or 1NC	1NO or 1NC or 2NOs	2NOs or 2NCs

▶ External and installation dimension

External and installation dimension to see map 1, table 3



Map 1

Table 3

Model	Amax	Bmax	Cmax	E	F	G
CJX5-9(S-K10)、CJX5-12(S-K11)	45	68	80	32±0.5	50±0.5	4.5 ^{+0.48} ₀
CJX5-12(S-K12)	53	68	80	32±0.5	50±0.5	4.5 ^{+0.48} ₀
CJX5-16(S-K18)	45	68	88	32±0.5	50±0.5	4.5 ^{+0.48} ₀
CJX5-22(S-K20)	68	80	88	54±0.5	60±0.5	4.8 ^{+0.48} ₀
CJX5-22(S-K21)	68	80	96	54±0.5	60±0.5	4.8 ^{+0.48} ₀
CJX5-30、40(S-K25、35)	82	90	104	71±0.6	60±0.5	5.5 ^{+0.48} ₀
CJX5-50、62(S-K50、65)	90	108	108	70±0.6	75±0.6	5 ^{+0.48} ₀
CJX5-85、105(S-K80、95)	102	126	129	80±0.6	110±0.6	6 ^{+0.48} ₀

▶ Ordering Notice

It required to be noted:

- 6.1 Model and name
 - 6.2 Rated operating voltage and frequency of coil
 - 6.3 Quantity
 - 6.4 if require the standard rail, please noted additionally.
- For example, CJX5-12/10, 380V, 50Hz, 100 pcs.