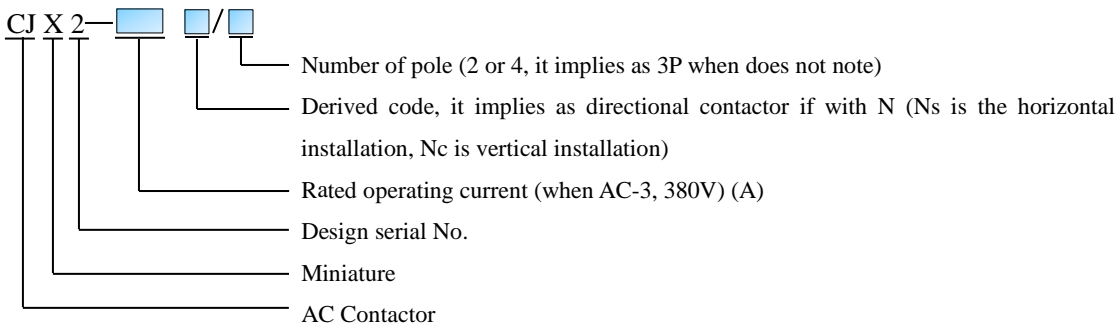




1.APPLICATION RANGE

- ▶ CJX2 series AC Contactor is mainly used in the circuit of AC 50Hz or 60Hz, rated operating voltage up to 690V, rated operating current up to 630A, for the use of remotely connecting and breaking, it also can be connected with thermal relay combined into electromagnetic starter to protect the circuit's over-load of operation.
- ▶ Product confirms to: GB14048.4, IEC60947-4-1 etc. standards.

2.Model and its implication



3.APPLICATION ENVIRONMENT CONDITION

3.1 Altitude height of Installation places does not exceed 2000m

3.2 Ambient temperature

Up limitation of ambient temperature does not exceed +40°C; Average value in 24h of ambient temperature does not exceed +35°C. The low limitation of ambient temperature does not lower than -5°C.

3.3 Condition of atmosphere

3.3.1 Humidity

When it is the highest temperature +40°C, the relative humidity does not exceed 50%, and it allows a certain high relative humidity when it is at relatively low temperature. For example, it reaches 90% when 20°C, and it should take special measurements when there occurring condensation due to the temperature variation.

3.3.2 Pollution grade:3

3.4 Installation condition

Installing at the places that without impact vibration and without snow or rain; up terminal connects power, and the low terminal connects the load; the gradient between the vertical and the product does not exceed 5°

3.5 Installation category: III

4. Main technique parameter

4.1 Main specification

4.1.1 Current: 115, 150, 185, 225, 265, 330, 400, 500, 630A

4.1.2 Rated control power voltage of contactor's coil U_s : AC 50Hz, 110, 127, 220, 380, 415, 440V, special voltage can be customized.

4.2 Main technique parameter of contactor

4.2.1 Characteristics of action

Pull-in voltage 85%~110% U_s

Release voltage CJX2-115~265 is 20%~75% U_s

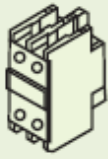
4.2.2 Main parameter and technique performance index of contactor to see table 1

Table 1

Model	Setting thermal current A	Rated operating current A			Controllable maximum power of three phase squirrel cage type motor kW			Operation cycling frequency times/h (AC-3)	Electrical life when AC-3 ten thousand times	Mechanical life (ten thousand times)	Suited fuse (SCPD)	
		AC-3			AC-3						Model	Rated current
		380V	660V	1000V	380V	660V	1000V					
CJX2-115	200	115	86	46	63	80	63	1200	120	1000	RT16-2	250
CJX2-150	200	150	108	50	80	100	75				RT16-2	355
CJX2-185	275	185	118	71	100	110	100	600	100	600	RT16-3	425
CJX2-225	275	225	137	90	110	129	132				RT16-3	500
CJX2-265	315	265	170	112	140	160	160				RT16-3	630
CJX2-330	380	330	235	155	180	220	200				RT16-4	800
CJX2-400	450	400	303	200	200	280	250				RT16-4	800
CJX2-500	630	500	353	232	250	335	300				RT16-4	1000
CJX2-630	800	630	462	331	335	450	475				RT16-4	1250

4.2.3 Model specification and parameter of auxiliary contact group to see table 2

Table 2

Model of auxiliary contact group	Quantity of contact		rated insulation voltage V	Control capacity	Simple map
	Quantity of NO contact	Quantity of NC contact			
F4-11	1	1	690	AC-15 360VA DC-13 33W	
F4-20	2	0			
F4-02	0	2			
F4-22	2	2			
F4-13	1	3			
F4-40	4	0			
F4-04	0	4			
F4-31	3	1			

4.3 Main specification code of coil to see table 3

Table 3

Coil code Model of contactor	Operating voltage V		AC-115~225:50Hz				AC-265~630:40~400Hz		Simple map
	110	127	220	380	Power VA		Startup	Keeping	
	110	127	220	380	660	54			
CJX2-115,150	FF110	FF127	FF220	FF380	660	54			
CJXW-185/225	FG110	FG127	FG220	FG380	966	66			
CJX2-265/330	FH110	FH127	FH220	FH380	840	12			
CJX2-400	FJ110	FJ127	FJ220	FJ380	1380	24			
CJX2-500	FK110	FK127	FK220	FK380	1380	24			
CJX2-630	FL110	FL127	FL220	FL380	2076	30			

5. External and installation dimension

5.1 External dimension and installation dimension of contactor to see table 4

CJX2-115~330	CJX2-400~500	CJX2-630

Table 5

mm	CJX2-115		CJX2-150		CJX2-185		CJX2-225		CJX2-265	
	3 poles	4 poles	3 poles	4 poles	3 poles	4 poles	3 poles	4 poles	3 poles	4 poles
A	167	204	167	204	171	211	171	211	202	247
B	163	163	171	171	174	174	197	197	203	203
C	172	172	172	172	183	183	183	183	215	215
P	37	37	40	40	40	48	48	48	48	48
S	20	20	20	20	20	20	25	25	25	25
Φ	M6	M6	M8	M8	M8	M8	M10	M10	M10	M10
f ^①	131	131	131	131	131	131	131	131	147	147
M	147	147	150	150	154	154	174	174	178	178
H	124	124	124	124	127	127	127	127	147	147
L	107	107	107	107	113.5	113.5	113.5	113.5	141	141
X1 ^② 200~500V 660~1000V	10	10	10	10	10	10	10	10	10	10
	15	15	15	15	15	15	15	15	15	15
Ga	80									
Ha	110~120									

Continued

mm	CJX2-330		CJX2-400			CJX2-500			CJX2-630		
	3 poles	4 poles	2 poles	3 poles	4 poles	2 poles	3 poles	4 poles	2 poles	3 poles	4 poles
A	213	261	213	213	261	233	233	288	309	309	389
B	206	206	206	206	206	238	238	238	304	304	304
C	220	220	220	220	220	233	233	233	256	256	256
P	48	48	48	48	48	55	55	55	80	80	80
S	25	25	25	25	25	30	30	30	40	40	40
Φ	M10	M10	M10	M10	M10	M10	M10	M10	M12	M12	M12
f ^①	147	147	146	146	146	150	150	150	181	181	181
M	181	181	181	181	181	208	208	208	264	264	264
H	158	158	158	158	158	172	172	172	202	202	202
L	145	145	145	145	145	146	146	146	155	155	155
X1 ^② 200~500V 660~1000V	10	10	15	15	15	15	15	15	20	20	20
	15	15	20	20	20	20	20	20	30	30	30
Ga	96		80			140			180		240
Ha	110~120		170~180			180~190					

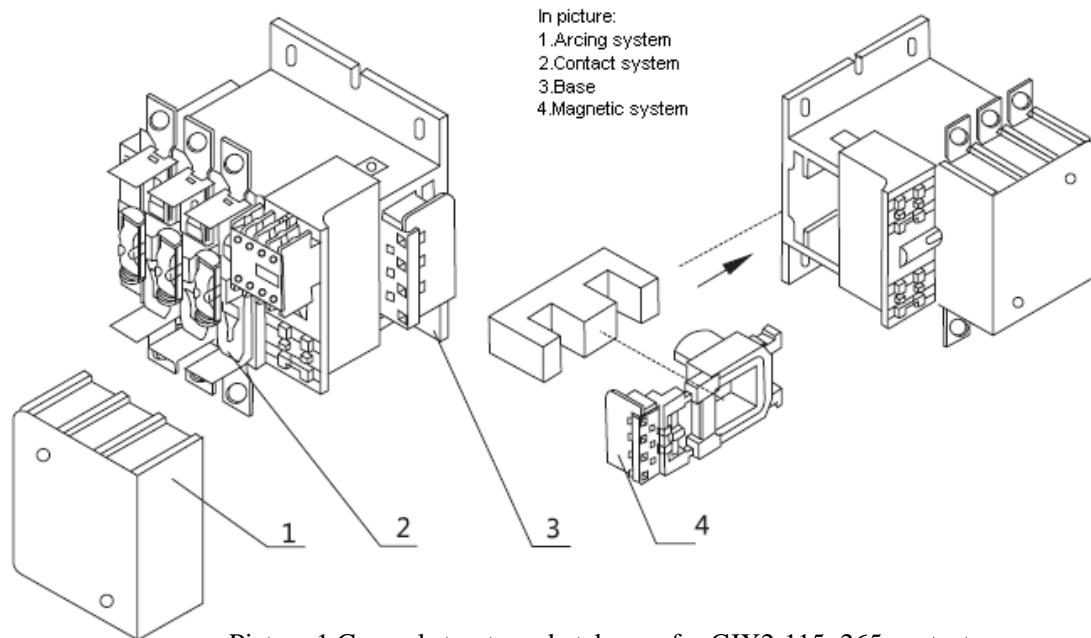
Note:

1) Assemble and disassemble the coil required minimum distance

Arcing distance according to the operating voltage and breaking capacity

6.Characteristics of structure

6.1 Contactor is mainly comprised of arcing system, contact system, base, and magnetic system (include iron core and coil) to see picture 1



Picture 1 General structure sketch map for CJX2-115~265 contactor

6.2 Contact system of contactor is direct-acting, double breakpoint arrangement, the lower base adopts the aluminium alloy material, the coil is the plastic sealing structure, and the coil combined with magnetic yoke into a whole, which can be directly take out or place in, it's very convenient to use and maintenance, to see map 1

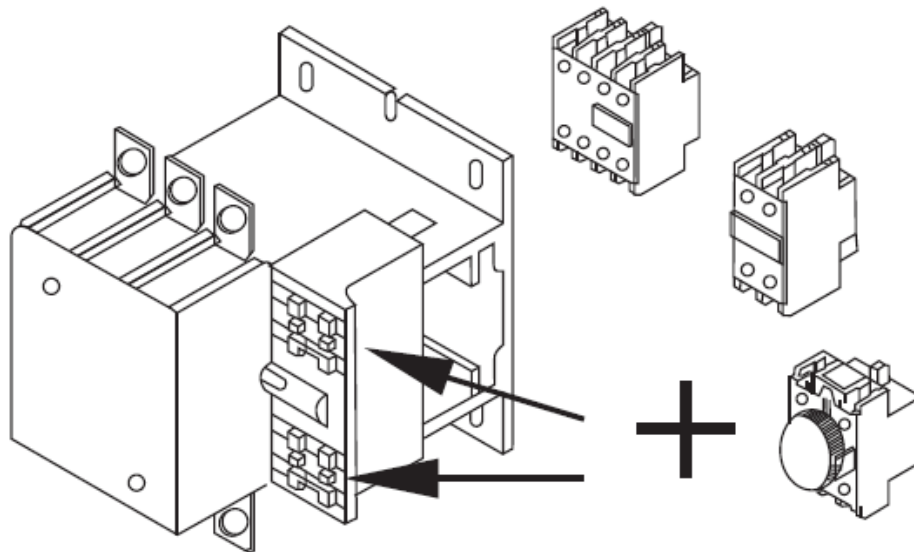
6.3 There are one couple of NO contacts inside the coil of contactor, can be used as auto-lock contact or signal contact; Additionally, it can be attached to equip with two auxiliary contact groups totally 8 couples contacts, to see map 2. Combination information of auxiliary contact to see table 2.

6.4 Small arcing distance of contactor, for example, the arcing distance of CJX2-115~330 is merely 10mm (200~500V), which is one-sixth of other same capacity contactor. It is used for the complete equipment can reduce the usage space, is the excellent supporting component in the power electric control equipment.

6.5 It can be attached the auxiliary contact group, air delay contact and other accessory by the building block type installation mode to see map 2

6.6 Contactor can be attached horizontal or vertical mechanical interlock, and reciprocal interlock between two pcs of contactor that is vertical installation.

6.7 Derivable two/four poles contactor



Picture 2 Contactor can be attached the auxiliary contact group, air delay contact and other accessory by the building block type installation mode

7. Ordering notice

Model	<input type="checkbox"/> CJX2-115 ___ pcs, <input type="checkbox"/> CJX2-150 ___ pcs, <input type="checkbox"/> CJX2-185 ___ pcs, <input type="checkbox"/> CJX2-225 ___ pcs, <input type="checkbox"/> CJX2-265 ___ pcs, <input type="checkbox"/> CJX2-330 ___ pcs, <input type="checkbox"/> CJX2-400 ___ pcs, <input type="checkbox"/> CJX2-500 ___ pcs, <input type="checkbox"/> CJX2-630 ___ pcs
Rated control power voltage Us	<input type="checkbox"/> 110 <input type="checkbox"/> 127 <input type="checkbox"/> 220 <input type="checkbox"/> 380 <input type="checkbox"/> 415 <input type="checkbox"/> 440V
Frequency	<input type="checkbox"/> 50Hz <input type="checkbox"/> 60Hz
Quantity of Auxiliary contacts and its combination	<input type="checkbox"/> F4-11 <input type="checkbox"/> F4-20 <input type="checkbox"/> F4-02 <input type="checkbox"/> F4-22 <input type="checkbox"/> F4-40 <input type="checkbox"/> F4-04 <input type="checkbox"/> F4-31 <input type="checkbox"/> F4-13
Number of pole	<input type="checkbox"/> 2P <input type="checkbox"/> 3P <input type="checkbox"/> 4P