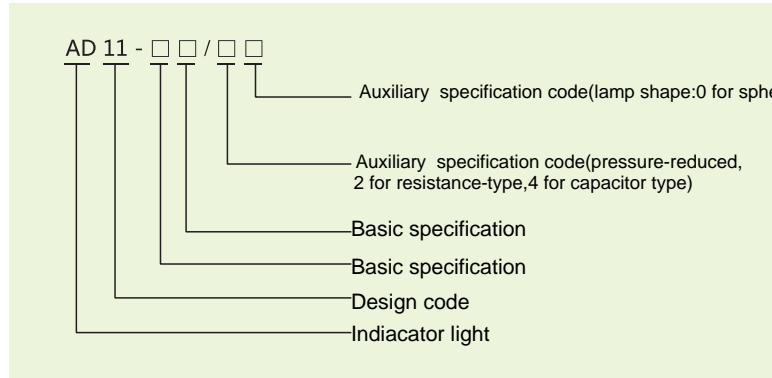


▶ Application

AD11 series indicator light is applicable for electromagnetic starter, contactor, relay and other circuit of AC50Hz or 60Hz, rated operational voltage up to 380V, DC voltage up to 220V, as indicator.

This production conforms to standard of GB14048.5, IEC60497-5-1.

▶ Model No.



▶ Normal working condition and installation condition

- 3.1 Altitude: lower than 2000m.
- 3.2 Ambient temperature: no higher than +40°C, and no lower than -50°C, and day average temperature shall no more than +35°C.
- 3.3 Humidity: Relative humidity shall not exceed 50% at the Max temperature 40°C, and higher humidity could be accepted at lower temperature. The condensation must be taken care which is caused by temperature change.
- 3.4 Pollution class: III type
- 3.5 Installation level: II type
- 3.6 Installation: first remove the nut of indicator, then install the indicator at control panel, then install the nut back.

▶ Appearance and mounting dimensions

4.1 Shape dimensions

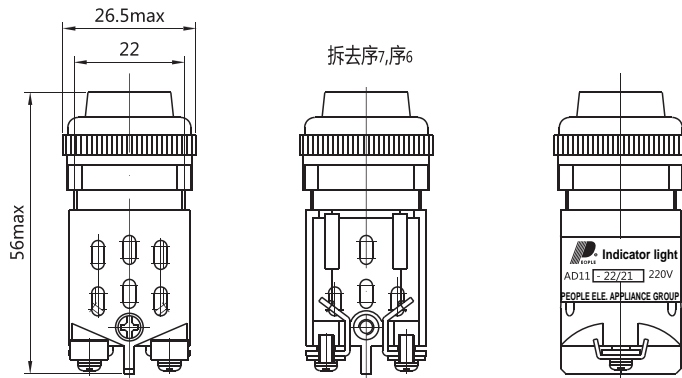


Fig1 AD11-22/21

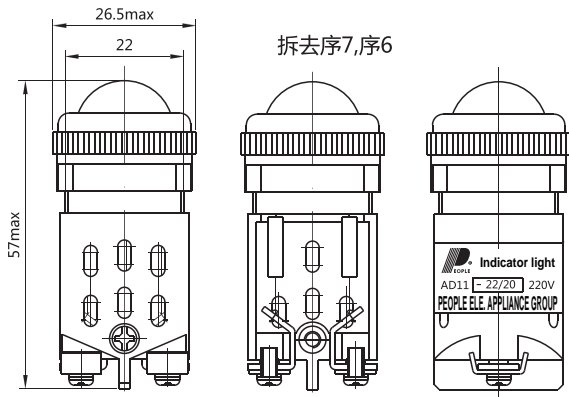


Fig2 AD11-22/20

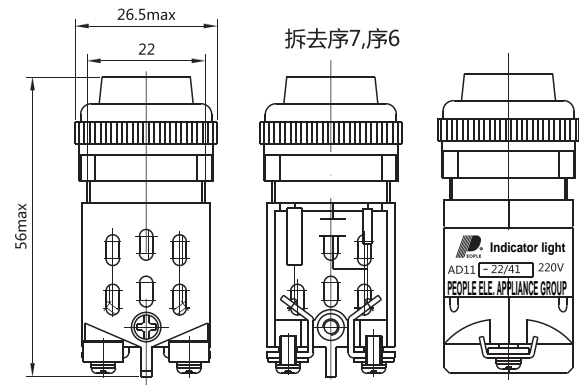


Fig3 AD11-22/41

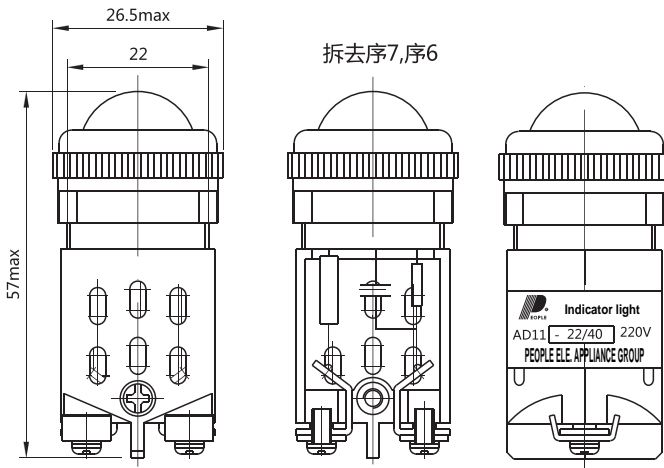


Fig4 AD11-22/40

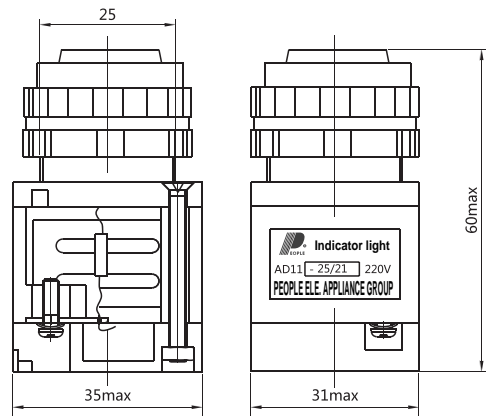


Fig5 AD11-25/21

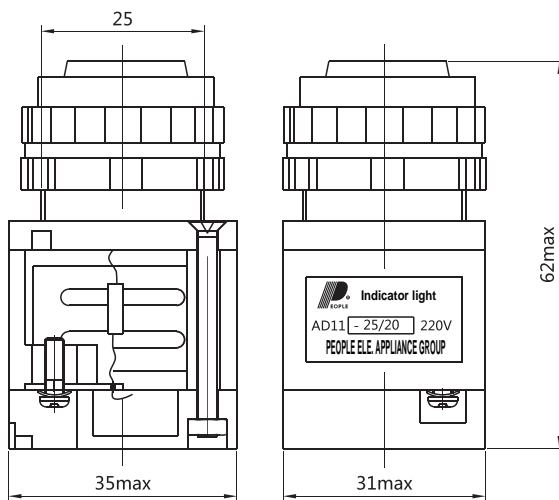


Fig6 AD11-25/20

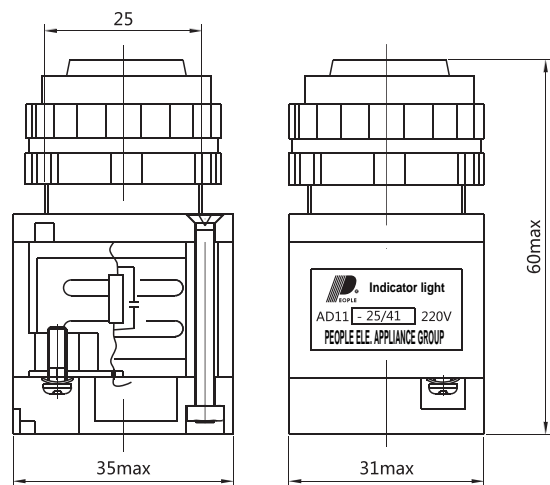


Fig7 AD11-25/41

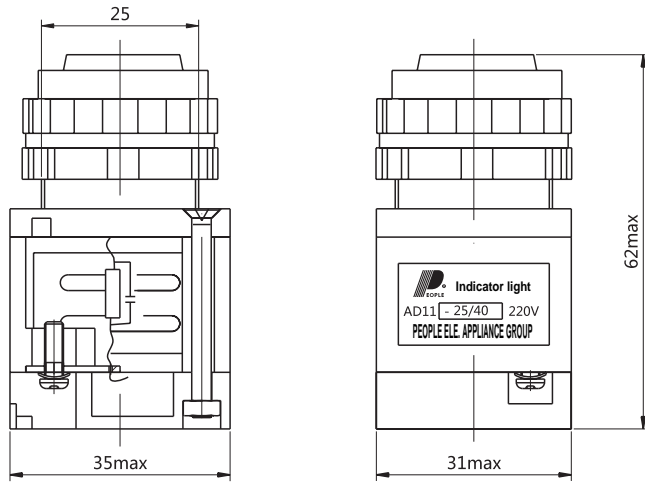


Fig8 AD11-25/40

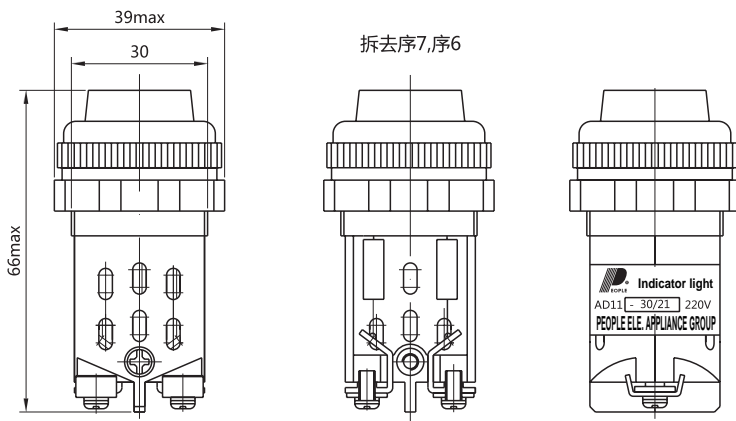


Fig9 AD11-30/21

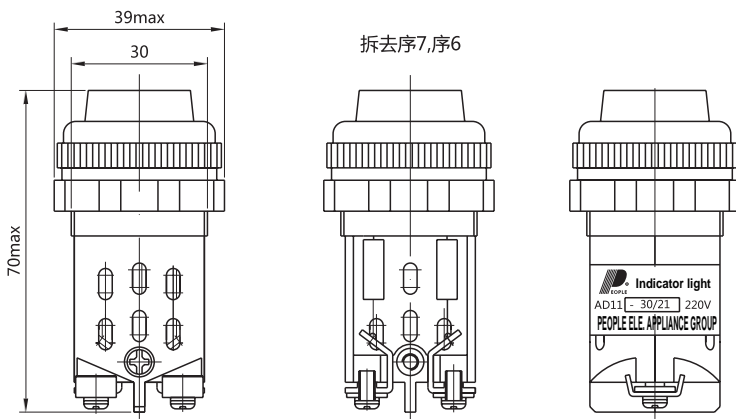


Fig10 AD11-30/20

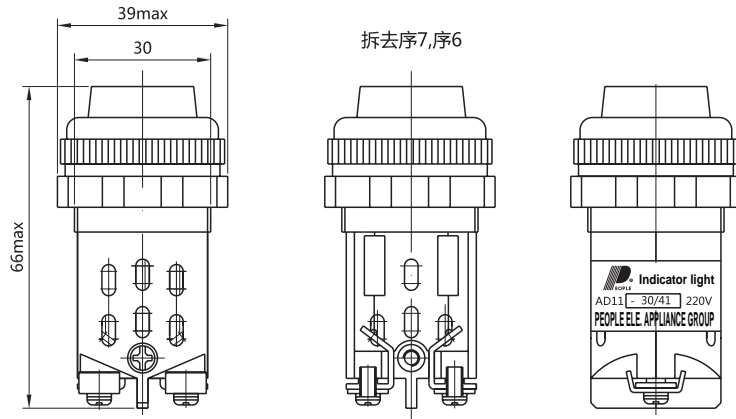


Fig11 AD11-30/41

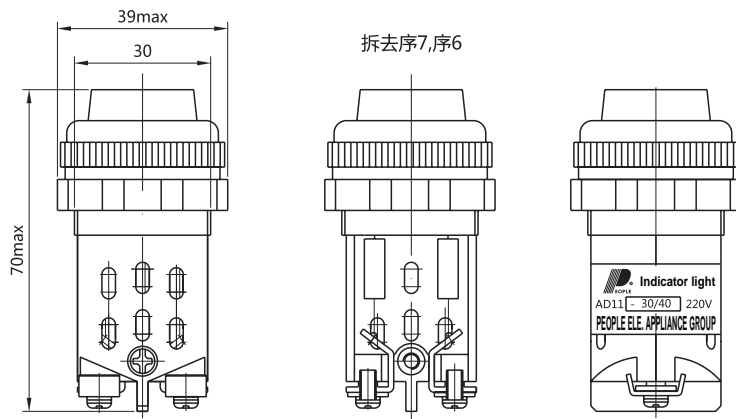
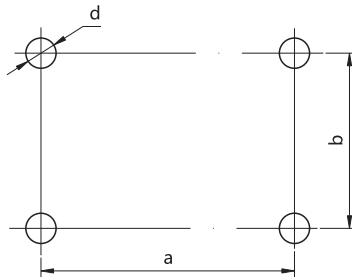


Fig12 AD11-30/40

4.2 Installation dimension



Model No.	neck dimension	Boring diameter d	a	b
AD11-22	22	22.5	30	50
AD11-25	25	25.5	40	55
AD11-30	30	30.5	50	65

▶ Notice

Please note the model no., specification, quantity and special requirement in the order.